

EtherCAT



ECAT-2060

EtherCAT Slave I/O Module with Isolated 6-channel DI and 6-channel Relay DO

Features

- On the fly processing: EtherCAT
- Powerful MCU handles efficient network traffic
- 2 x RJ-45 bus interface
- Distance between stations up to 100 m (100 BASE-TX)
- Support daisy chain connection
- EtherCAT conformance test tool verified
- Removable terminal block connector
- LED indicators for the I/O status
- Built-In Inputs and Outputs: 6 DI and 6 Relay DO
- RoHS compliant
- ESD Protection 4 KV Contact for each channel



Introduction

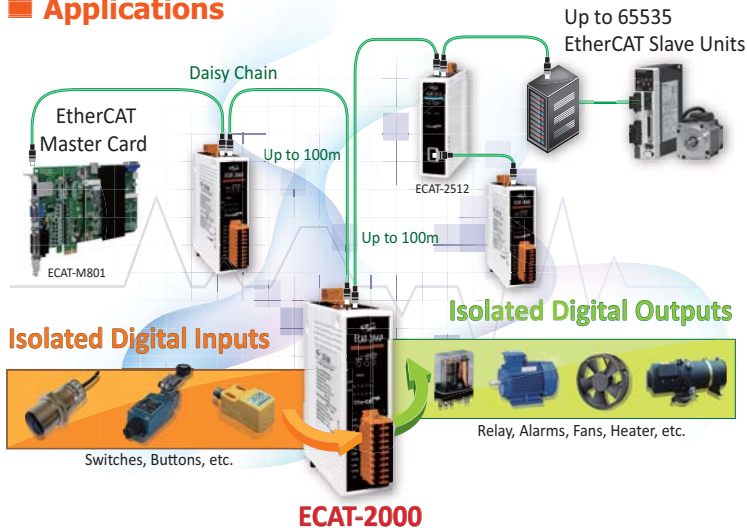
The ECAT-2060 is an industrial slave I/O module built in 6 digital inputs and 6 relay digital outputs. It is equipped with the EtherCAT* protocol and installed by daisy chain connection that provides a more scalable system with fewer wires. Users can obtain the input and output status not only via the process data but also from its LED indicators. The ECAT-2060 has passed and verified by the conformance test tool, therefore eligible EtherCAT Master or configurator can manipulate it simply and implement your various applications easily.

* EtherCAT® is registered trademark and patented technology, licensed by Beckhoff Automation GmbH, Germany.

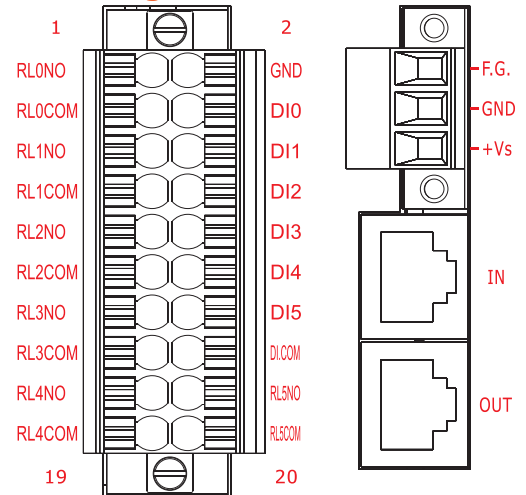
Hardware Specifications

Digital Input	
Channels	6
Input Type	Dry (Source) Wet (Sink/Source)
OFF Voltage Level	Open +4 V Max.
ON Voltage Level	Close to GND +10 V ~ +50 V
Photo-Isolation	3750 Vdc
Digital Output	
Channels	6
Output Type	Form A (SPST-NO)
Contact Rating (Resistive Load)	5 A @ 30 Vdc; 5 A @125 / 250 VAC (47 ~ 63 Hz)
Operate Time	10 ms Max.
Release Time	5 ms Max.
Mechanical Endurance	2 x 10 ⁷ Operations
Electrical Endurance	10 ⁵ Operations
Communication Interface	
Connector	2 x RJ-45
Protocol	EtherCAT
Distance between Stations	Max. 100 m (100 BASE-TX)
Data Transfer Medium	Ethernet/EtherCAT Cable (Min. CAT 5), Shielded
EMS Protection	
ESD (IEC 61000-4-2)	±4 kV Contact for Each Terminal
EFT (IEC 61000-4-4)	Signal: 1 KV Class A; Power: 1 KV Class A
Surge (IEC 61000-4-5)	1 KV Class A
Power	
Input Voltage Range	+10 V ~ +30 Vdc
Power Consumption	4 W Max.
Mechanical	
Dimensions (W x L x H)	33 mm x 127 mm x 108 mm
Installation	DIN-Rail Mounting
Case Material	UL 94V-0 Housing
Environment	
Operating Temperature	-25 ~ +75°C
Storage Temperature	-30 ~ +80°C
Relative Humidity	10 ~ 90% RH, Non-condensing

Applications



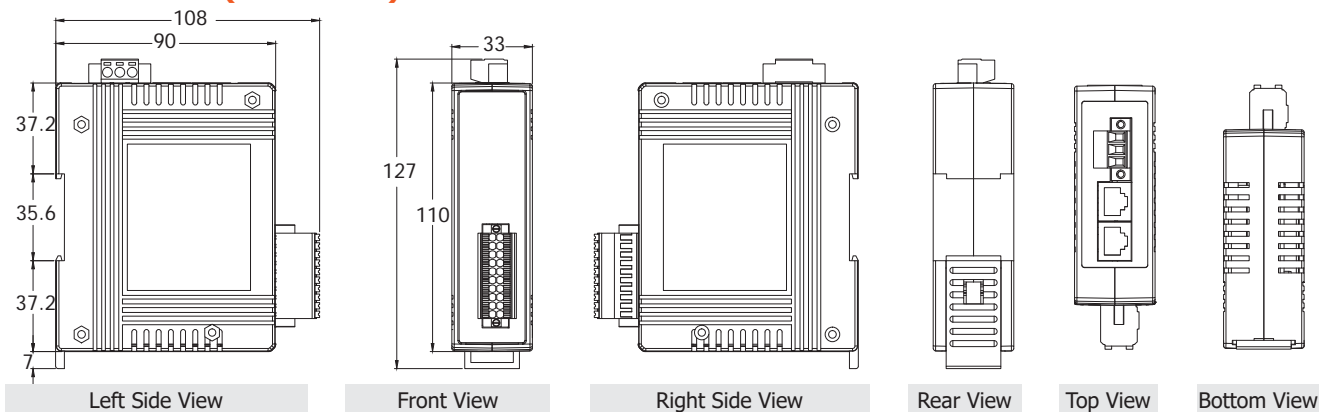
Pin Assignments



Wire Connections

Digital Input/Counter	Readback as 1	Readback as 0
Sink	+10 ~ +50 Vdc	OPEN or <4 Vdc
Source	+10 ~ +50 Vdc	OPEN or <4 Vdc
Output Type	ON State Readback as 1	OFF State Readback as 0
Relay Output		

Dimensions (Units: mm)



Ordering Information

ECAT-2060 CR	EtherCAT Slave I/O Module with Isolated 6-channel DI and 6-channel Relay DO (RoHS)
---------------------	--